



Installation Instructions

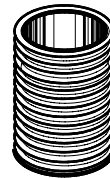
SAFETY INSTRUCTIONS:

1. READ AND FOLLOW ALL INSTRUCTIONS.
2. **WARNING:** To reduce the risk of injury, do not permit children to handle this product.
3. **CAUTION:** THE EQUIPMENT CONTROLS SHALL BE LOCATED NOT LESS THAN 3.28 FEET (1 METER) HORIZONTALLY FROM THE POOL OR SPA.
4. A grounding lug marked with the grounding symbol \equiv is provided on the internal surface of the units' electrical compartment. To reduce the risk of electrical shock, connect the local common bonding grid in the area of the pool or spa to the external grounding lug with an insulated or bare common conductor not smaller than No. 8 AWG (USA) or No. 6 AWG (Canada).
5. All field-installed metal components such as rails, ladders, drains, or other similar hardware within 5 feet (3m in Canada) of the pool or spa, shall be bonded to the local common bonding grid.
6. This unit is intended for indoor or outdoor use in the United States and indoor use only in Canada.
7. **SAVE THESE INSTRUCTIONS.**

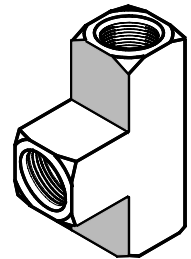
INSTALLATION:



#1 – Ozone Generator



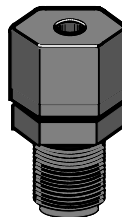
#2 - 1/4" Close Nipple



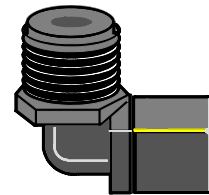
#3 - 1/4" Tee Fitting

List of parts:

1. 1 – Ozone Generator
2. 1 – 1/4" Close Nipple
3. 1 – 1/4" Tee Fitting
4. 12 feet – 1/4" Tubing
5. 2 – 1/4" Pipe to 1/4" Tubing Fittings
6. 1 – Ballast Voltage Selector
7. 1 – Parker 90° Ell Fitting



#5 – 1/4" Pipe to 1/4" to 1/4" Tubing Fitting



#7 - Parker 90° Ell

MOUNTING:

Mount the Ozone generator no further than 8 feet from the suction connection of the pool or pump. The unit should be mounted horizontally with the **QuikPure 3** label right side up and a **minimum of 1 foot** above the highest water level (including an elevated spa).

ELECTRICAL:

1. Make sure all power equipment is OFF at the circuit breaker before attempting this installation. Make sure all electrical wiring is installed according to the current NEC or local regulations in your area.
2. The unit comes with 12 feet of wiring to be used to connect the load side of the control device used to turn the pool pump ON and OFF. This unit must run **only** while the pool pump is running.
3. The voltage for this device is factory set for 220 VAC but can be changed to 120 VAC by removing the cover from the unit and setting the voltage selector switch to the desired setting.
4. The unit comes equipped with a ½" rain tight connector for flex conduit connection (flex conduit supplied by your electrician).

PLUMBING:

New Pool:

1. ***On new pool installations the injector line must be installed into a stand pipe/suction pipe ahead of the pump and below water line as shown in Figure B (page 4).***
2. Connect the suction line to the Ozone injector line using the #5 fitting (See Figure A on Page 3). Cut off only what tubing is needed and save the remainder for the filter air bleed installation.
3. **It is important that you use a sufficient length of tubing to avoid any sharp bends at the tubing fittings.**

Retrofit Installation:

1. If this device is being installed **on an existing pool it is highly recommended that injector line be plumbed into a suction pipe that is below the pools water level (Figure B)**, however, if that is not possible, connect the suction line to the dual-orifice flow regulator and route it to the pool pump drain plug using fitting #7 and connect it as in Figure C on page 4.

Bleed Line Installation:

1. Remove the pressure gauge or air bleed valve in the top of the filter and install the ¼" close nipple (#2) T fitting (#3) in a configuration that makes for the easiest connection then screw it into the opening where you removed the pressure gauge or the air bleed valve. Install the ¼ inch pipe to ¼ inch tubing fitting (#5) into one of the two openings in the T fitting that will result in the least bending of the bleed

tubing and re-install the pressure gauge or bleed air valve into the final opening.
(See Figure D on page 4)

2. Using a 7/16" drill bit, drill a hole in the return header as in Figure D as close to the filter as possible and thread it using a 1/4" tap. Install a 1/4" pipe to 1/4" tubing fitting. Using some of the remaining 1/4" tubing, attach one end to the 1/4" tubing fitting in the header to the tubing fitting just installed on the filter (See Figure D on page 4). **It is important that you use a sufficient length of tubing to avoid any sharp bends at the tubing fittings.**

Operation/Startup:

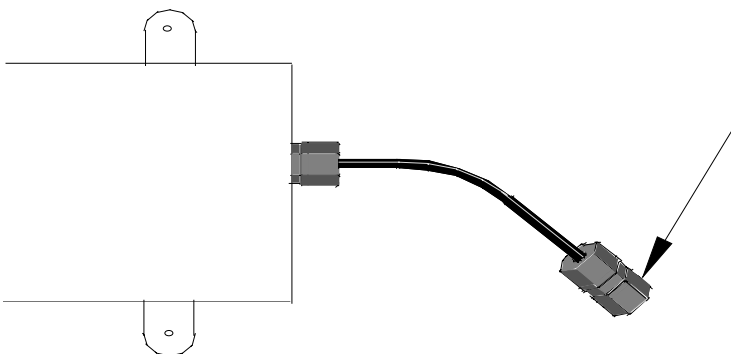
The only maintenance to perform will be checking to make sure the UV lamp is operating (indicator lens on bottom of unit will glow a blue/green color) and that there are air bubbles coming out of the pool returns. Most filters have internal bleed lines but sometimes they get clogged, this is why the A&A QuikPure 3 ozone generator is equipped with its own air bleed line. It may be necessary to remove the bleed line from the fitting on top of your filter to clean any obstructions that may be causing the Ozone gases from getting back to the pool.

To clean the line, push in the small ring on top of the fitting while pulling the tubing from the fitting. Turn the pump ON for just a second or two or until water comes out of the fitting. Re-insert the tubing into the fitting.

General Information:

To achieve optimal performance from the QuikPure 3, the pool should be as clean as possible to begin. The pool water may be cloudy when the QuikPure 3 is first started; this is due to the unit oxidizing any chloramines or bacteria that may be in the water at the time of start-up. This is only a one time event; water will usually clear in three days maximum.

- 1) Backwash or clean filters before starting the QuikPure 3 (retrofit installations).
- 2) Super chlorinate the pool water using a chlorine based shock treatment.
- 3) Test the pool chemistry and adjust the pH between 7.2 and 7.6. Adjust total alkalinity between 80 and 120 ppm.



There is no need to remove this nut from the connector assembly. Merely push the end of the tubing into the end of the assembly until it can be pushed no further.

QUIKPURE FEED LINE INTO SUCTION TEE BELOW W/ Figure A

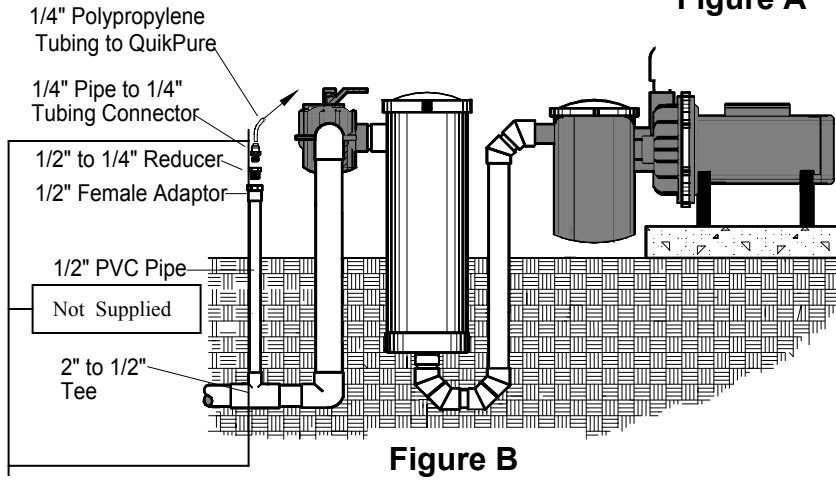


Figure B

***Retro-Fit Only Option* QUIKPURE FEED LINE INTO M GAUGE PORT**

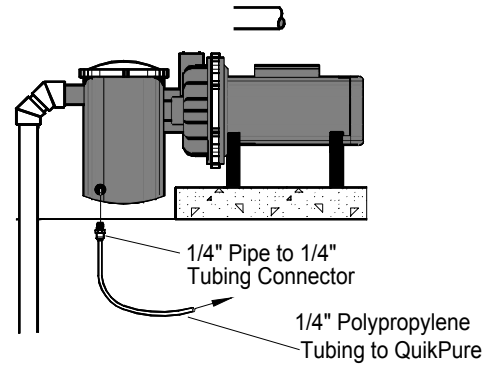


Figure C

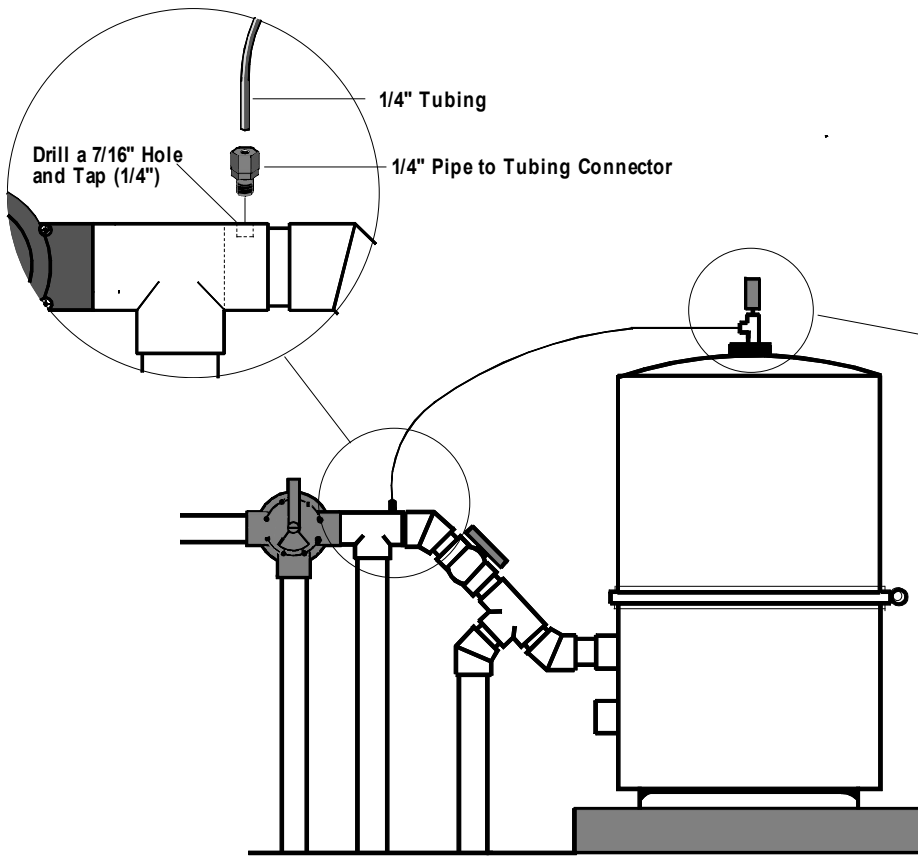
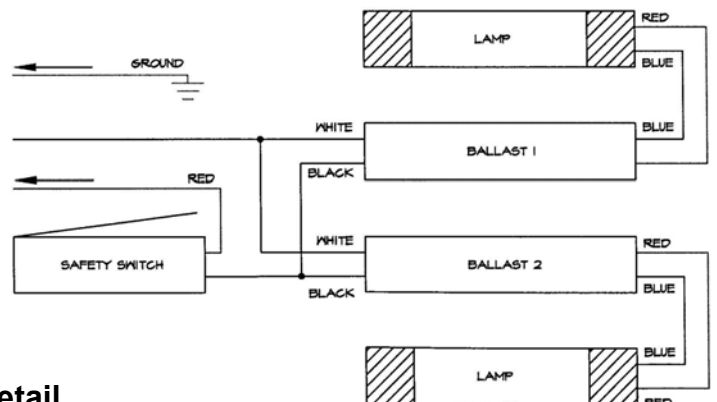
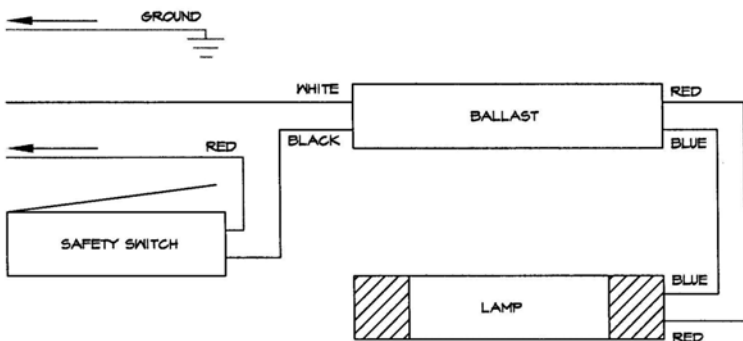


Figure D

QP2-25

QP2-50



Wiring Detail